

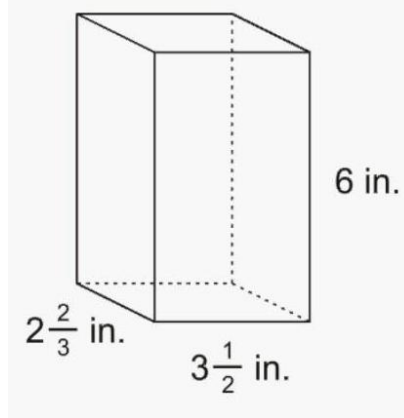
**Worksheet 20 Pre-Algebra Find the Volume of a Prism Calculators Encouraged**

Please show your steps, before using a calculator, so we know how you got your answer.

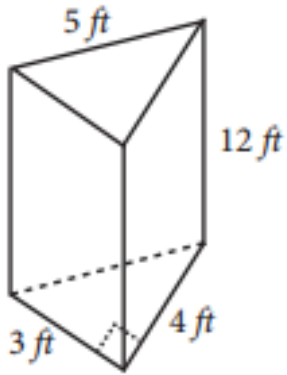
1.



2.



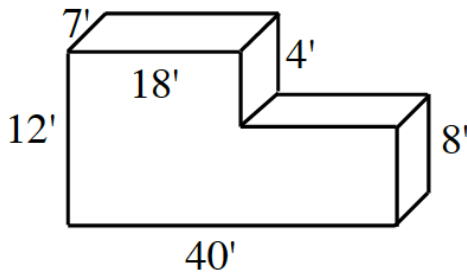
3.



4.



5.



6.

